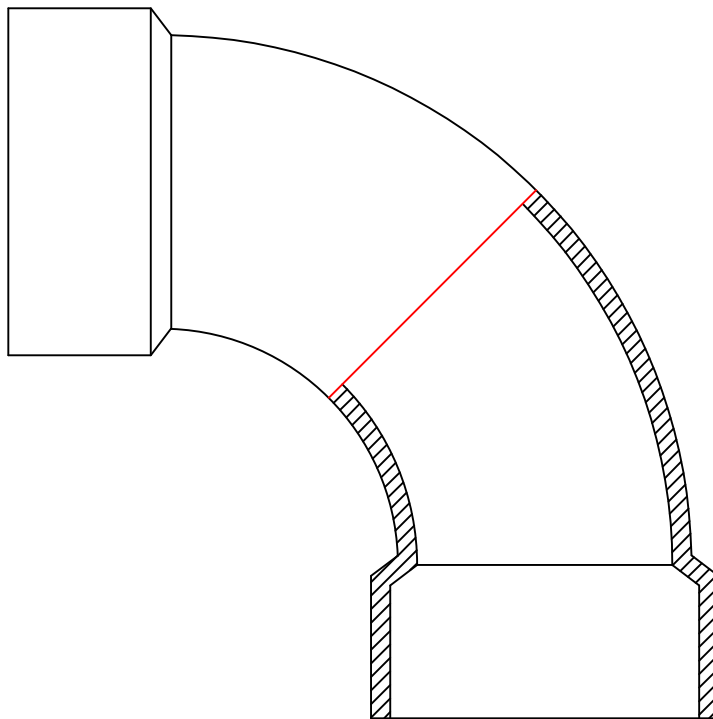


GRP CURVE 90° SLEEVE



TECHINCAL SPECIFICATION

- LINER: 1,5 mm
- HOOP TENSILE STRENGTH: 127 N/m
- LONGITUDINAL TENSILE STRENGTH: 127 N/m
- HOOP MODULUS OF ELASTICITY: 11,800 N/m
- ELONGATION AT FAILURE (min): 0.008 mm/mm
- THERMAL EXPANSION: 23X10-6 mm/mm °C
- SPECIFIC GRAVITY: 1.7 Kg/dm3
- RESIN/FIBERGLASS RATIO: max 70% resin, min 30% glass

